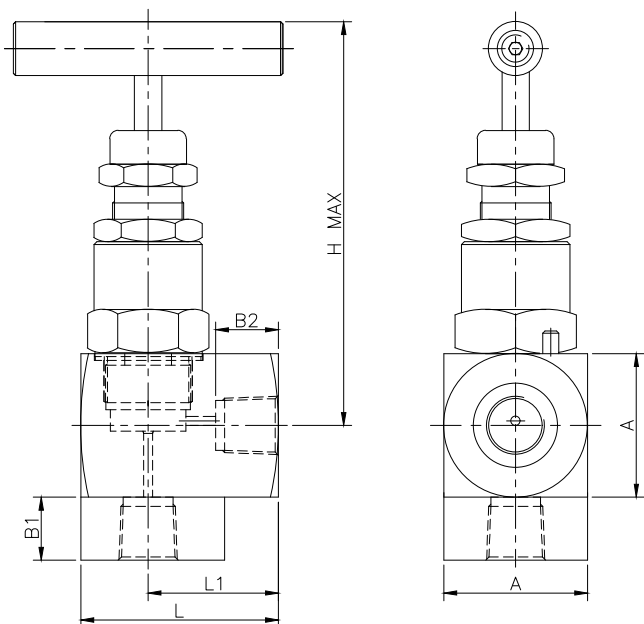


Angle Needle valve : NPT(F) x NPT(F) 3000 / 6000 PSI



Dimensions (in millimeters)

STOCK CODE	INLET	OUTLET	A	B1	B2	L	L1	H
NB04EB04EBH3101	1/4"	1/4"	28	14	14	44	29	87
NB06EB06EBH3101	3/8"	3/8"	28	14	14	44	29	87
NB08EB08EBH3101	1/2"	1/2"	32	19	19	50	35	89
NB12EB12EBH3101	3/4"	3/4"	38	19	19	50	35	93
NB16EB16EBH3101	1"	1"	45	24	24	72	49	108
NB18EB18EBH3101	1 1/2"	1 1/2"	55	24	24	84	54	120
NB19EB19EBH3101	2"	2"	65	24	24	95	70	130

Angle Needle valve : NPT(F) x NPT(F) 10000 PSI

Dimensions (in millimeters)

STOCK CODE	INLET	OUTLET	A	B1	B2	L	L1	H
NB04EB04EBJ3101	1/4"	1/4"	32	14	14	50	32	90
NB06EB06EBJ3101	3/8"	3/8"	32	14	14	50	32	90
NB08EB08EBJ3101	1/2"	1/2"	38	19	19	60	35	95
NB12EB12EBJ3101	3/4"	3/4"	42	19	19	60	35	98
NB16EB16EBJ3101	1"	1"	50	24	24	80	50	120
NB18EB18EBJ3101	1 1/2"	1 1/2"	60	24	24	95	54	144
NB19EB19EBJ3101	2"	2"	70	24	24	115	72	166

Note: All dimensions are subject to change without notice. All dimensions are in millimeters