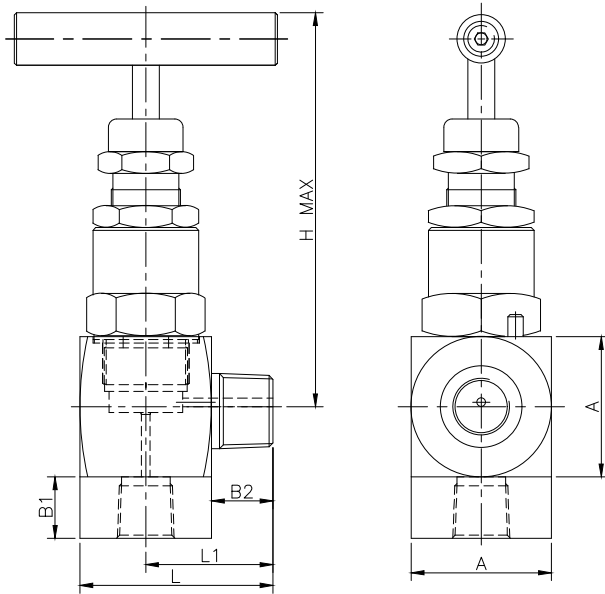


Angle type Needle valve : NPT(F) x NPT(M) 3000 / 6000 PSI



Dimensions (in millimeters)

STOCK CODE	INLET	OUTLET	A	B1	B2	L	L1	H
NB04EB04EAH3101	1/4"	1/4"	28	14	14	44	29	87
NB06EB06EAH3101	3/8"	3/8"	28	14	14	44	29	87
NB08EB08EAH3101	1/2"	1/2"	32	19	19	50	35	89
NB12EB12EAH3101	3/4"	3/4"	40	19	19	50	35	89
NB16EB16EAH3101	1"	1"	45	24	24	72	49	108
NB18EB18EAH3101	1 1/2"	1 1/2"	55	24	24	84	54	120
NB19EB19EAH3101	2"	2"	65	24	24	95	70	130

Angle type Needle valve : NPT(F) x NPT(M) 10000 PSI

Dimensions (in millimeters)

STOCK CODE	INLET	OUTLET	A	B1	B2	L	L1	H
NB04EB04EAJ3101	1/4"	1/4"	32	14	14	50	32	90
NB06EB06EAJ3101	3/8"	3/8"	32	14	14	50	32	90
NB08EB08EAJ3101	1/2"	1/2"	38	19	19	60	35	95
NB12EB12EAJ3101	3/4"	3/4"	42	19	19	60	35	98
NB16EB16EAJ3101	1"	1"	55	24	24	80	50	120
NB18EB18EAJ3101	1 1/2"	1 1/2"	60	24	24	95	54	144
NB19EB19EAJ3101	2"	2"	75	24	24	115	72	166

Note: All dimensions are subject to change without notice. All dimensions are in millimeters