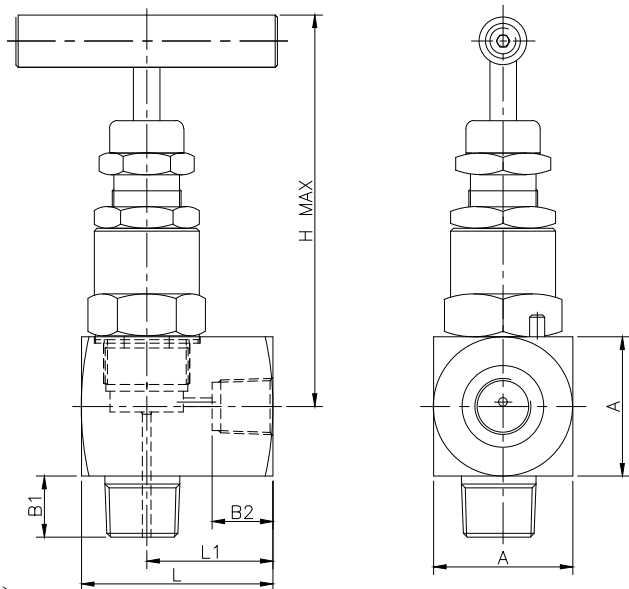


Angle type Needle valve : NPT(M) x NPT(F) 3000 / 6000 PSI



Dimensions (in millimeters)

STOCK CODE	INLET	OUTLET	A	B1	B2	L	L1	H
NB04EA04EBH3101	1/4"	1/4"	28	14	14	44	29	87
NB06EA06EBH3101	3/8"	3/8"	28	14	14	44	29	87
NB08EA08EBH3101	1/2"	1/2"	32	19	19	50	35	89
NB12EA12EBH3101	3/4"	3/4"	40	19	19	50	35	93
NB16EA16EBH3101	1"	1"	45	24	24	72	49	108
NB18EA18EBH3101	1 1/2"	1 1/2"	55	24	24	84	54	120
NB19EA19EBH3101	2"	2"	65	24	24	95	70	130

Angle type Needle valve : NPT(M) x NPT(F) 10000 PSI

Dimensions (in millimeters)

STOCK CODE	INLET	OUTLET	A	B1	B2	L	L1	H
NB04EA04EBJ3101	1/4"	1/4"	32	14	14	50	32	90
NB06EA06EBJ3101	3/8"	3/8"	32	14	14	50	32	90
NB08EA08EBJ3101	1/2"	1/2"	38	19	19	60	35	103
NB12EA12EBJ3101	3/4"	3/4"	42	19	19	60	35	106
NB16EA16EBJ3101	1"	1"	55	24	24	80	50	132
NB18EA18EBJ3101	1 1/2"	1 1/2"	60	24	24	95	54	171
NB19EA19EBJ3101	2"	2"	75	24	24	115	72	181

Note: All dimensions are subject to change without notice. All dimensions are in millimeters