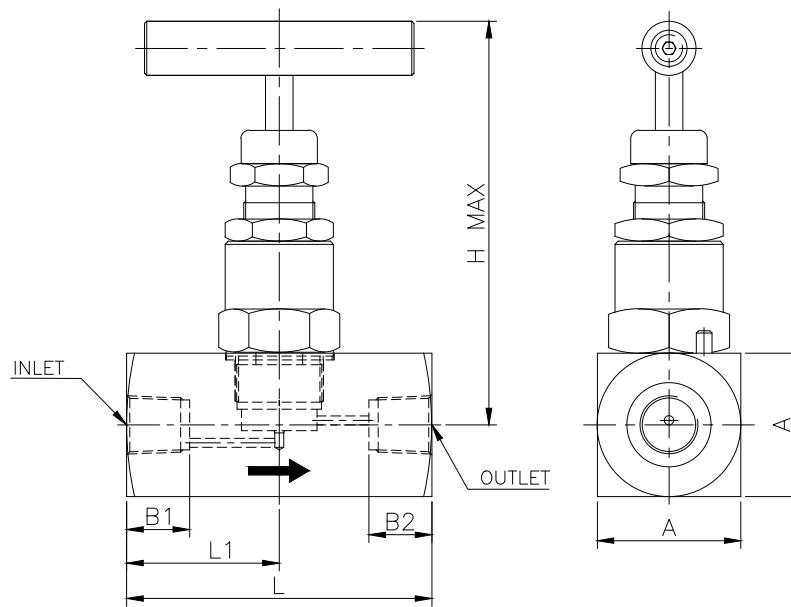


Needle valve : NPT(F) x NPT(F) 3000 / 6000 PSI



Dimensions (in millimeters)

STOCK CODE	INLET	OUTLET	A	B1	B2	L	L1	H
NA04EB04EBH310101	1/4"	1/4"	28	14	14	56	28	80
NA06EB06EBH310101	3/8"	3/8"	28	14	14	56	28	80
NA08EB08EBH310101	1/2"	1/2"	32	19	19	68	34	96
NA12EB12EBH310101	3/4"	3/4"	38	19	19	68	34	108
NA16EB16EBH310101	1"	1"	45	24	24	80	40	130
NA18EB18EBH310101	1 1/2"	1 1/2"	55	24	24	96	48	162
NA19EB19EBH310101	2"	2"	65	24	24	116	58	184

Needle valve : NPT(F) x NPT(F) 10000 PSI

Dimensions (in millimeters)

STOCK CODE	INLET	OUTLET	A	B1	B2	L	L1	H
NA04EB04EBJ310101	1/4"	1/4"	32	14	14	68	34	90
NA06EB06EBJ310101	3/8"	3/8"	32	14	14	68	34	90
NA08EB08EBJ310101	1/2"	1/2"	38	19	19	68	34	103
NA12EB12EBJ310101	3/4"	3/4"	42	19	19	74	37	106
NA16EB16EBJ310101	1"	1"	50	24	24	90	45	132
NA18EB18EBJ310101	1 1/2"	1 1/2"	60	24	24	106	53	171
NA19EB19EBJ310101	2"	2"	70	24	24	126	63	181

Note: All dimensions are subject to change without notice. All dimensions are in millimeters