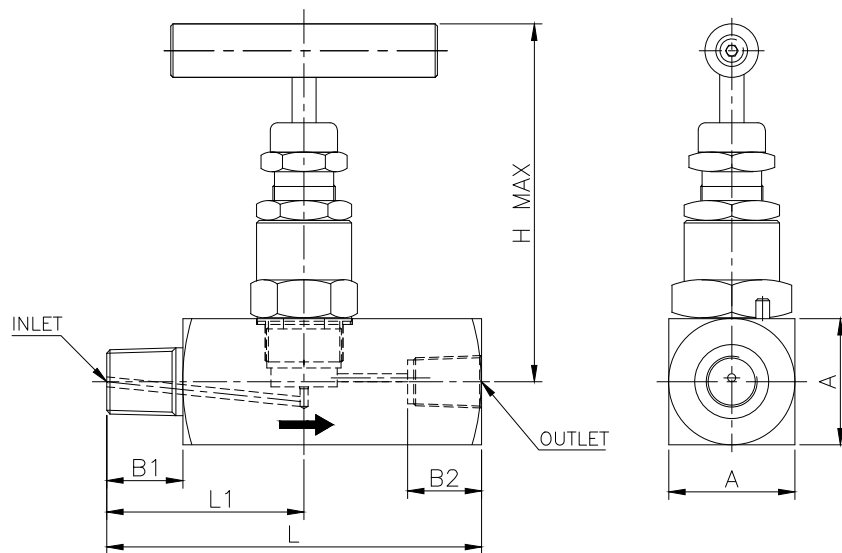


Needle valve : NPT(M) x NPT(F) 3000 / 6000 PSI



Dimensions (in millimeters)

STOCK CODE	INLET	OUTLET	A	B1	B2	L	L1	H
NA04EA04EBH310101	1/4"	1/4"	28	14	14	70	42	80
NA06EA06EBH310101	3/8"	3/8"	28	14	14	70	42	80
NA08EA08EBH310101	1/2"	1/2"	32	19	19	87	53	96
NA12EA12EBH310101	3/4"	3/4"	38	19	19	87	53	108
NA16EA16EBH310101	1"	1"	45	24	24	104	64	130
NA18EA18EBH310101	1 1/2"	1 1/2"	55	24	24	120	72	162
NA19EA19EBH310101	2"	2"	65	24	24	140	82	184

Needle valve : NPT(M) x NPT(F) 10000 PSI

Dimensions (in millimeters)

STOCK CODE	INLET	OUTLET	A	B1	B2	L	L1	H
NA04EA04EBJ310101	1/4"	1/4"	32	14	14	76	40	90
NA06EA06EBJ310101	3/8"	3/8"	32	14	14	76	40	90
NA08EA08EBJ310101	1/2"	1/2"	38	19	19	88	50	103
NA12EA12EBJ310101	3/4"	3/4"	42	19	19	88	50	106
NA16EA16EBJ310101	1"	1"	55	24	24	104	64	130
NA18EA18EBJ310101	1 1/2"	1 1/2"	60	24	24	120	72	162
NA19EA19EBJ310101	2"	2"	70	24	24	140	80	184

Note: All dimensions are subject to change without notice. All dimensions are in millimeters