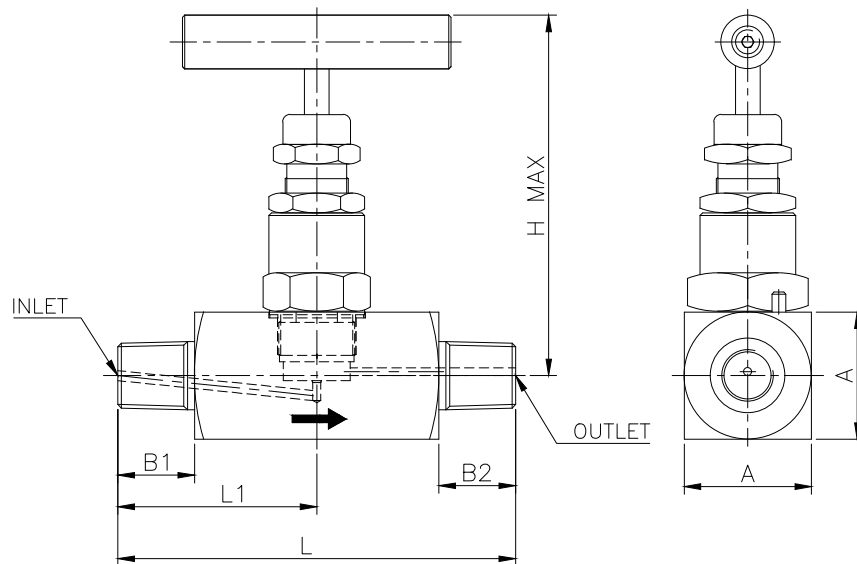


Needle valve : NPT(M) x NPT(M) 3000 / 6000 PSI



Dimensions (in millimeters)

STOCK CODE	INLET	OUTLET	A	B1	B2	L	L1	H
NA04EA04EAH310101	1/4"	1/4"	28	14	14	84	42	80
NA06EA06EAH310101	3/8"	3/8"	28	14	14	84	42	80
NA08EA08EAH310101	1/2"	1/2"	32	19	19	106	53	96
NA12EA12EAH310101	3/4"	3/4"	38	19	19	106	53	108
NA16EA16EAH310101	1"	1"	45	24	24	128	64	130
NA18EA18EAH310101	1 1/2"	1 1/2"	55	24	24	142	71	162
NA19EA19EAH310101	2"	2"	65	24	24	162	81	184

Needle valve : NPT(M) x NPT(M) 10000 PSI

Dimensions (in millimeters)

STOCK CODE	INLET	OUTLET	A	B1	B2	L	L1	H
NA04EA04EAJ310101	1/4"	1/4"	32	14	14	90	45	90
NA06EA06EAJ310101	3/8"	3/8"	32	14	14	90	45	90
NA08EA08EAJ310101	1/2"	1/2"	38	19	19	106	53	103
NA12EA12EAJ310101	3/4"	3/4"	42	19	19	106	53	108
NA16EA16EAJ310101	1"	1"	55	24	24	128	64	134
NA18EA18EAJ310101	1 1/2"	1 1/2"	60	24	24	142	71	170
NA19EA19EAJ310101	2"	2"	70	24	24	162	81	190

Note: All dimensions are subject to change without notice. All dimensions are in millimeters